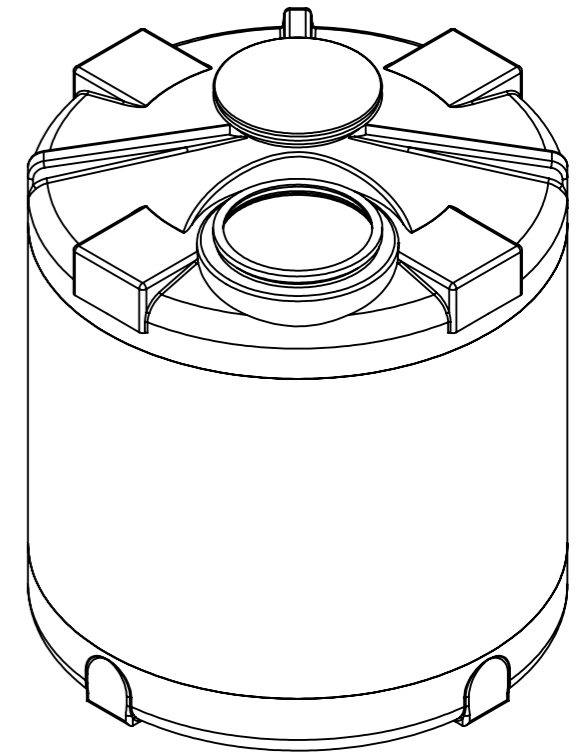
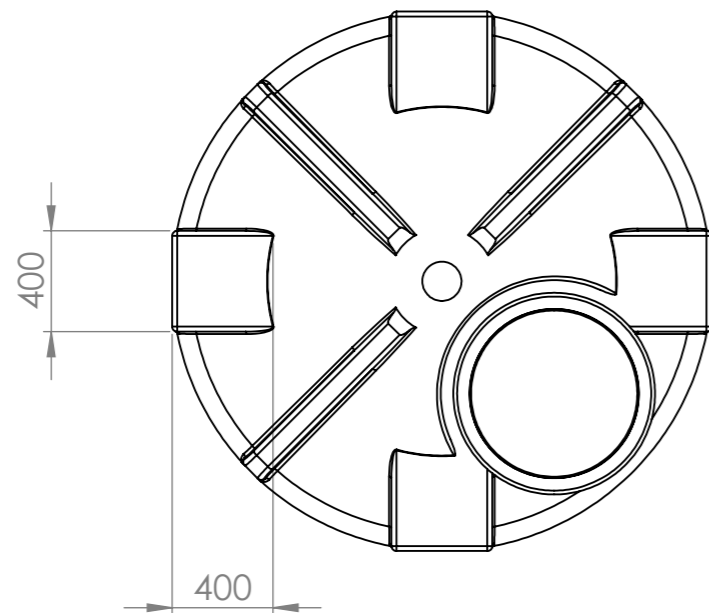
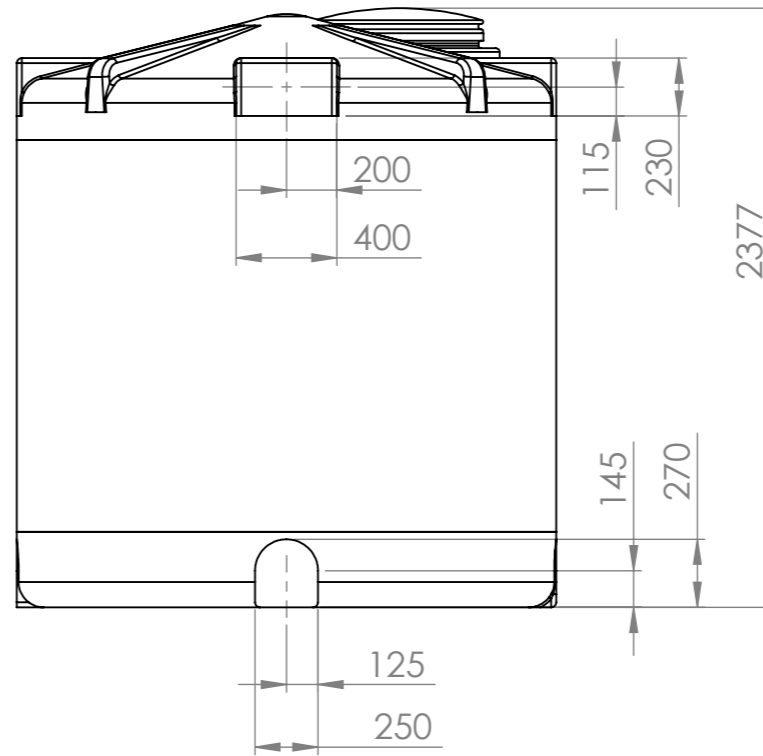
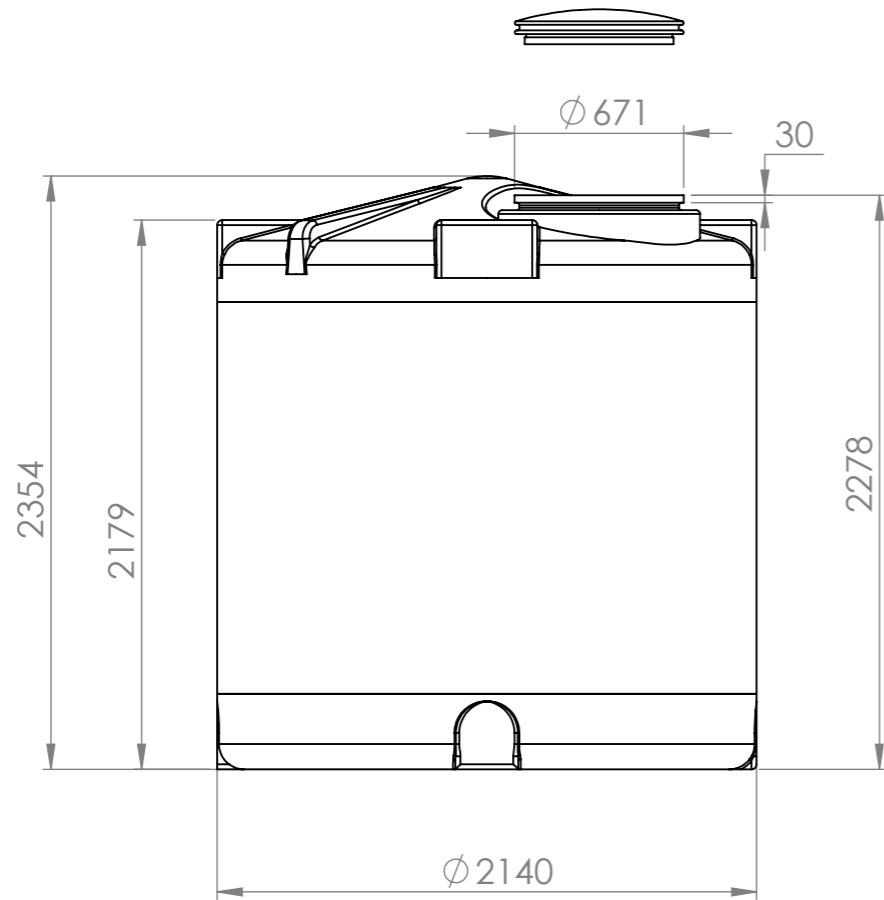


REVISIONS				
ZONE	REV.	DESCRIPTION	DATE	APPROVED
	A	Renamed part to 1408521. Made a new drawing nad updated views. M.P	10.04.2013	



This drawing and design is the property of Cipax. Copying and distribution of the drawing or any contents is prohibited without written permission from authorised personal at Cipax

Generelle toleranser om ikke annet er oppgitt på tegning	Tilatte avvik for måleområde. Gjelder ved +20°C				
General tolerances if not other stated on drawing	Permissible deviations for basic length size range. Valid +20°C				
	0-20	>20-75	>75-150	>150-300	>300
	±0,5mm	±1mm	±1,5mm	±1,3%	±1%

Constructed by - date	Evaluated by	Approved by - date	General Tolerances	Material	Finish, Ra	View	Scale
M.P 10.04.2013			NS-ISO 2768-1	LDPE	120 grit		1:30
Owner		Titel/Description		Revision	Sheet size	Sheet	
		1408521 7500 L Storage tank with excentric manhole		A	A3	1(1)	
Drawing number							
493 - 34							